

Z101 Manual

ADD USER

Fingerprint: #*123456#->*4->4 Digit ID number ->#->Two times fingerprint

Card: #*123456#->*4->4 Digit ID number ->#->Show card

Password: #*123456#->*4->4 Digit ID number->#->password->#->Confirm password

Fingerprint or Card: #*123456#->*4->4 Digit ID number ->#-> Two times fingerprint->Card

Fingerprint or Password: #*123456#->*4->4 Digit ID number->#-> Two times fingerprint->

password->#->Confirm password

Card or Password: #*123456#->*4->4 Digit ID number->#->Show card-> Two times password

Fingerprint or Card or Password: #*123456#->*4->4 Digit ID number->#-> Two times

fingerprint->Card->password->#->Confirm password

VERIFY USER

Fingerprint: Press Fingerprint

Card: Show Card

Password: 4 Digit ID number->#->Enter Password->#

DELETE USER

#*123456#->*3->Working number->#

#*123456#->*3->Press Finger or swipe card or input password->#

Setting Device Number

#*123456#->*2->Input Device number(1 to 99)->#

Resetting of system

Resetting the system and clearing all the users records.

#*123456#->*9->0->#

Setting of Unlocking time(Default unlocking time 5 seconds)

#*123456#->*5->Input Unlocking time(5 to 60 seconds)->#

Upload Data

Insert U disk

#*123456#->*6->123456->All the users records will be deleted after verify successfully and will be copied to the device.

Download Data

#*123456#->*7->Insert U disk

Restoring the Factory Setting

Open the tamper switch then re-power on the device, device will stop alarming after 30 seconds, Press * key, the red light is on, and then enter 123456, and then red light is off.

ADD ADMINISTRATOR

Fingerprint: #*123456#->*1->4 Digit ID number->#->Two times fingerprint

Card: #*123456#->*1->4 Digit ID number ->#->Show card

Password: #*123456#->*1->4 Digit ID number->#-> password->#->Confirm password



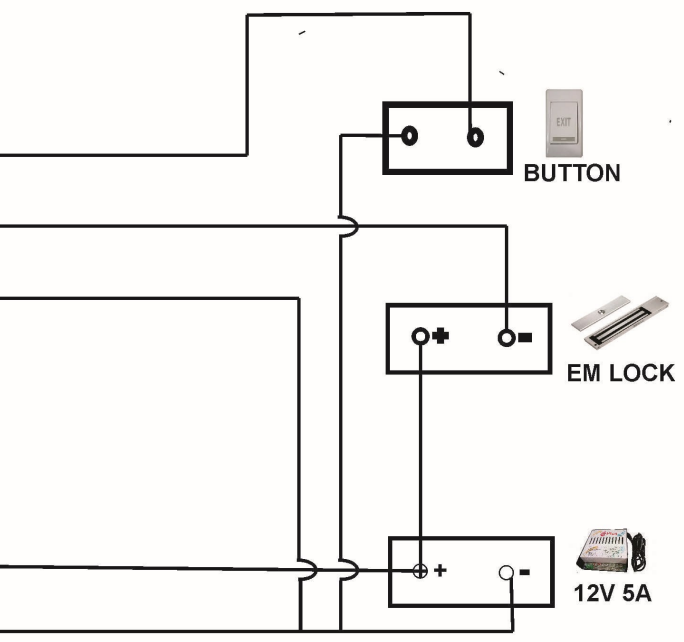
Z101 Diagram

J13

WG-OUT0	0
WG-OUT1	0
BELL-	0
BELL+	0
GND	0
KEY-OPEN	0
LOCK-NC	0
LOCK-COM0	0
LOCK-NO	0
ALARM	0

J1

+12V	0
GND	0



ADD User with admin

Fingerprint: *Green light -> User ID#->Password#->*4->4 Digit ID number ->#->Two times fingerprint

Card: *Green light -> User ID#->Password#->*4->4 Digit ID number ->#->Show card

Password: *Green light -> User ID#->Password#->*4->4 Digit ID number->#->password->#->Confirm password

Fingerprint or Card: *Green light -> User ID#->Password#->*4->4 Digit ID number ->#-> Two times fingerprint->Card

Fingerprint or Password: *Green light -> User ID#->Password#->*4->4 Digit ID number->#-> Two times fingerprint-> password->#->Confirm password

Card or Password: *Green light -> User ID#->Password#->*4->4 Digit ID number->#->Show card-> Two times password

Fingerprint or Card or Password: *Green light -> User ID#->Password#->*4->4 Digit ID number->#-> Two times fingerprint->Card->password->#->Confirm password